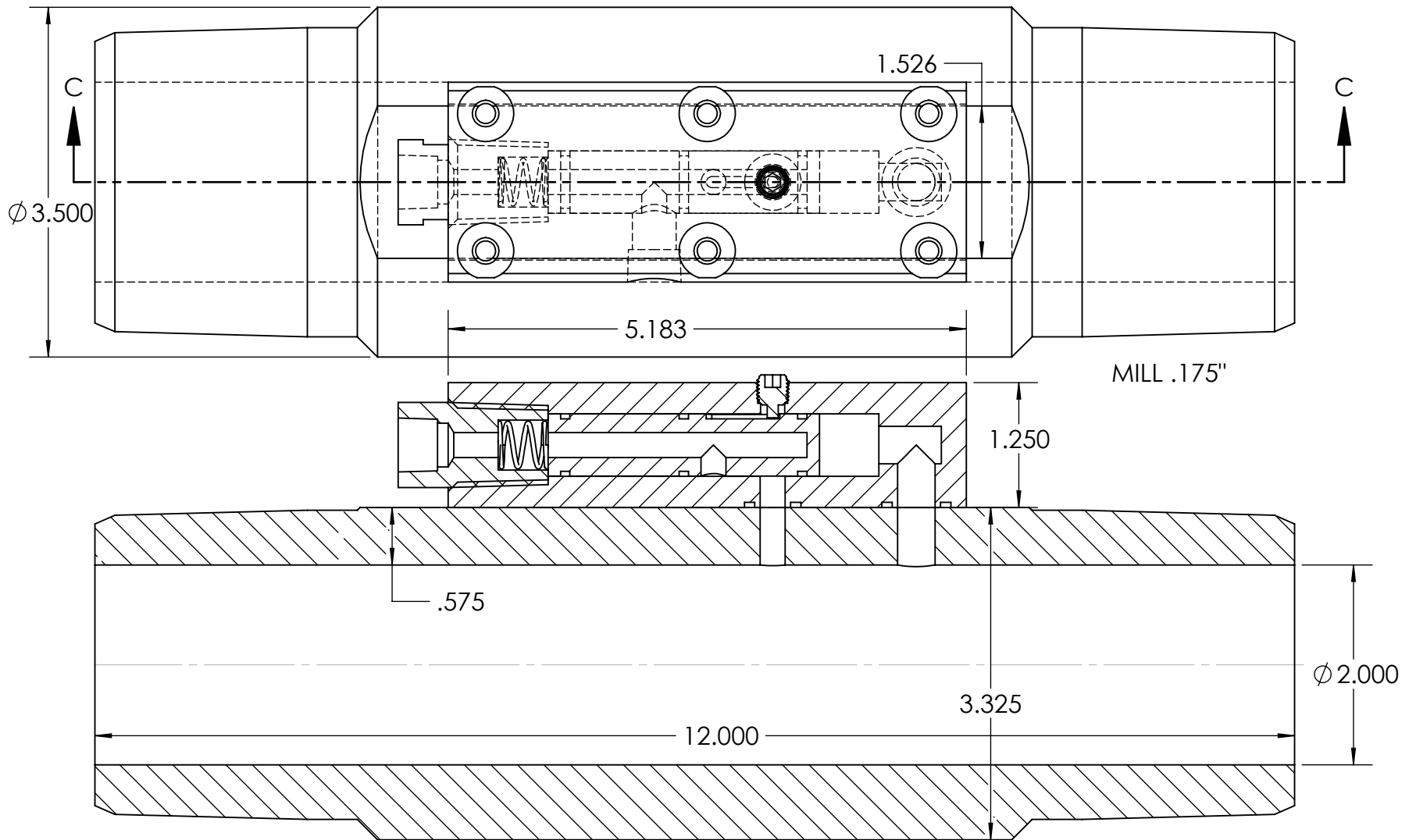


**PROPRIETARY AND CONFIDENTIAL**  
 THE INFORMATION CONTAINED IN THIS DRAWING IS THE SOLE PROPERTY OF REPUBLIC OIL TOOLS. ANY REPRODUCTION IN PART OR AS A WHOLE WITHOUT THE WRITTEN PERMISSION OF REPUBLIC OIL TOOLS IS PROHIBITED.

		UNLESS OTHERWISE SPECIFIED:	NAME	DATE
		DIMENSIONS ARE IN INCHES	DRAWN	7/24/2020
		TOLERANCES:	Updated	8/3/2020
		FRACTIONAL ±	ENG APPR.	
		ANGULAR: MACH ± BEND ±	MFG APPR.	
		TWO PLACE DECIMAL ±.015	Q.A.	
		THREE PLACE DECIMAL ±.005	COMMENTS:	
		INTERPRET GEOMETRIC TOLERANCING PER:		
		MATERIAL		
		FINISH		
NEXT ASSY	USED ON			
APPLICATION		DO NOT SCALE DRAWING		

<b>REPUBLIC OIL TOOLS</b>			
TITLE:			
SIZE	PART NO	REV	
<b>A</b>			
SCALE: 1:1	WEIGHT:	SHEET 1 OF 4	



SECTION C-C

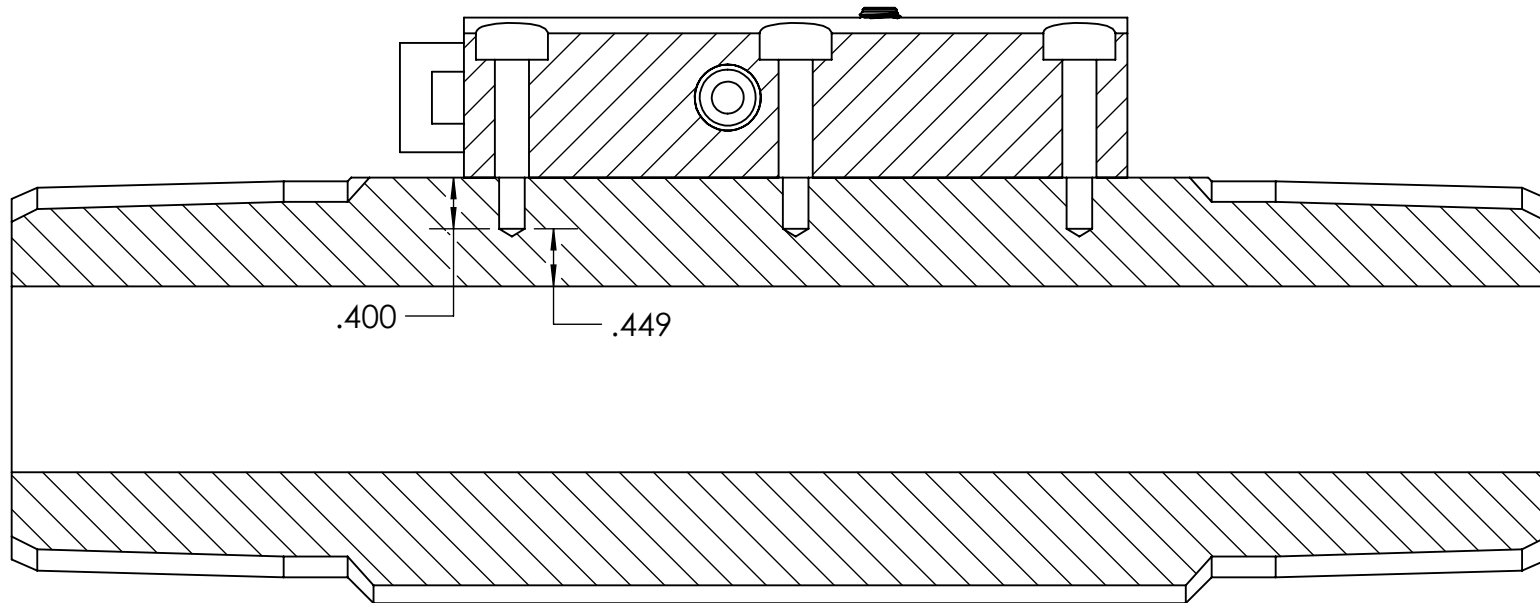
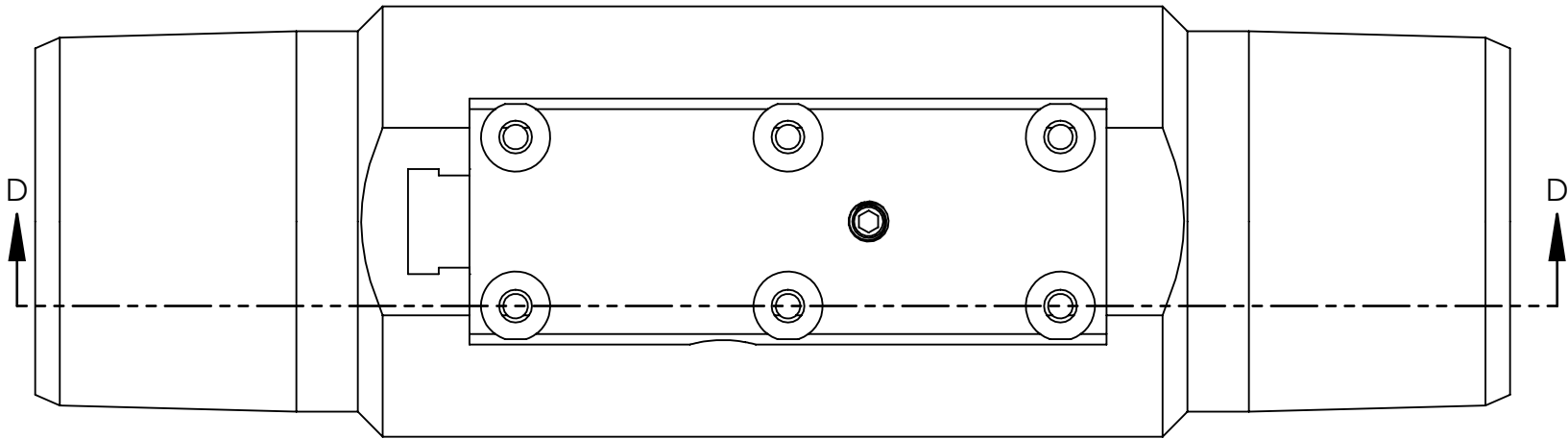
**PROPRIETARY AND CONFIDENTIAL**  
 THE INFORMATION CONTAINED IN THIS DRAWING IS THE SOLE PROPERTY OF REPUBLIC OIL TOOLS. ANY REPRODUCTION IN PART OR AS A WHOLE WITHOUT THE WRITTEN PERMISSION OF REPUBLIC OIL TOOLS IS PROHIBITED.

		UNLESS OTHERWISE SPECIFIED:	NAME	DATE
		DIMENSIONS ARE IN INCHES	DRAWN	7/24/2020
		TOLERANCES:	Updated	8/3/2020
		FRACTIONAL ±	ENG APPR.	
		ANGULAR: MACH ± BEND ±	MFG APPR.	
		TWO PLACE DECIMAL ±.015	Q.A.	
		THREE PLACE DECIMAL ±.005	COMMENTS:	
		INTERPRET GEOMETRIC TOLERANCING PER:		
		MATERIAL		
		FINISH		
NEXT ASSY	USED ON			
APPLICATION		DO NOT SCALE DRAWING		

**REPUBLIC OIL TOOLS**

TITLE:

SIZE	PART NO	REV
<b>A</b>		
SCALE: 2:3	WEIGHT:	SHEET 2 OF 4



SECTION D-D

**PROPRIETARY AND CONFIDENTIAL**  
 THE INFORMATION CONTAINED IN THIS DRAWING IS THE SOLE PROPERTY OF REPUBLIC OIL TOOLS. ANY REPRODUCTION IN PART OR AS A WHOLE WITHOUT THE WRITTEN PERMISSION OF REPUBLIC OIL TOOLS IS PROHIBITED.

		UNLESS OTHERWISE SPECIFIED:		NAME	DATE
		DIMENSIONS ARE IN INCHES		DRAWN	7/24/2020
		TOLERANCES:		Updated	8/3/2020
		FRACTIONAL ±		ENG APPR.	
		ANGULAR: MACH ± BEND ±		MFG APPR.	
		TWO PLACE DECIMAL ±.015		Q.A.	
		THREE PLACE DECIMAL ±.005		COMMENTS:	
		INTERPRET GEOMETRIC TOLERANCING PER:			
		MATERIAL			
		FINISH			
NEXT ASSY	USED ON				
APPLICATION		DO NOT SCALE DRAWING			

**REPUBLIC OIL TOOLS**

TITLE:

SIZE	PART NO	REV
<b>A</b>		
SCALE: 2:3	WEIGHT:	SHEET 3 OF 4